

NOTE: IF THE USE OF 1" THICK RIGID INSULATION IS DESIRED IT IS TO BE PLACED BETWEEN THE WALL SHEATHING AND THE WEATHER RESISTIVE BARRIER AND HAVE A MINIMUM COMPRESSIVE STRENGTH OF 20 PSI.

ATTENTION: IT IS THE RESPONSIBILITY OF THE INSTALLER TO CONSULT ALL MANUFACTURER SPECIFICATIONS REGARDING SPECIFIC REQUIREMENTS FOR PROPER ATTACHMENT OF MATERIALS AND TO ALSO ENSURE MATERIAL INSTALLATION CONFORMS TO LOCAL CODE REQUIREMENTS.



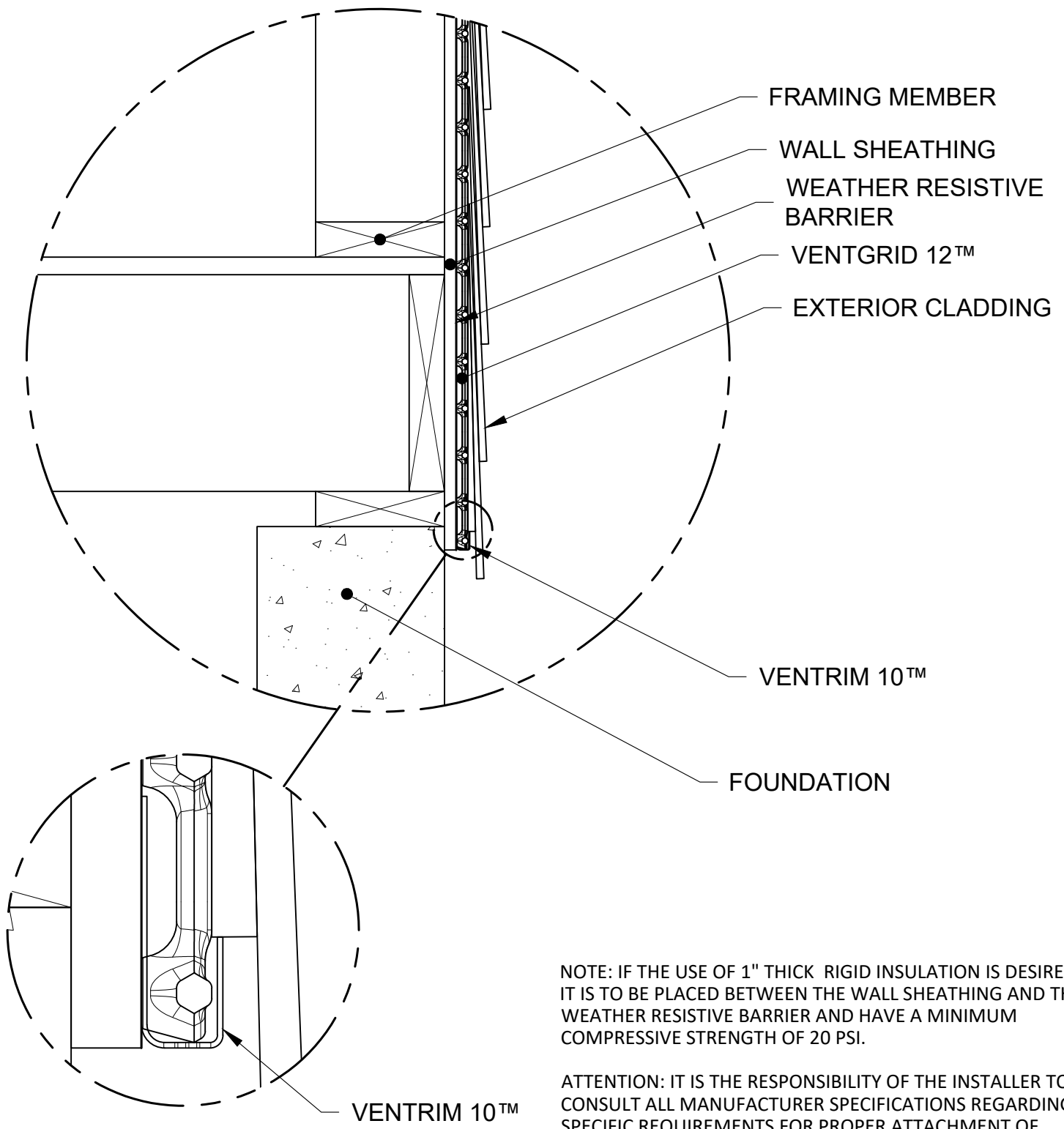
## BOTTOM OF WALL DETAIL

VENTGRID 12™ & VENTRIM 10™

NOT TO SCALE

ASSEMBLY SHOWN WITH PROFILED WOOD SIDING

VG12-004



FRAMING MEMBER

WALL SHEATHING

WEATHER RESISTIVE BARRIER

VENTGRID 12™

EXTERIOR CLADDING

VENTRIM 10™

FOUNDATION

VENTRIM 10™

NOTE: IF THE USE OF 1" THICK RIGID INSULATION IS DESIRED IT IS TO BE PLACED BETWEEN THE WALL SHEATHING AND THE WEATHER RESISTIVE BARRIER AND HAVE A MINIMUM COMPRESSIVE STRENGTH OF 20 PSI.

ATTENTION: IT IS THE RESPONSIBILITY OF THE INSTALLER TO CONSULT ALL MANUFACTURER SPECIFICATIONS REGARDING SPECIFIC REQUIREMENTS FOR PROPER ATTACHMENT OF MATERIALS AND TO ALSO ENSURE MATERIAL INSTALLATION CONFORMS TO LOCAL CODE REQUIREMENTS.



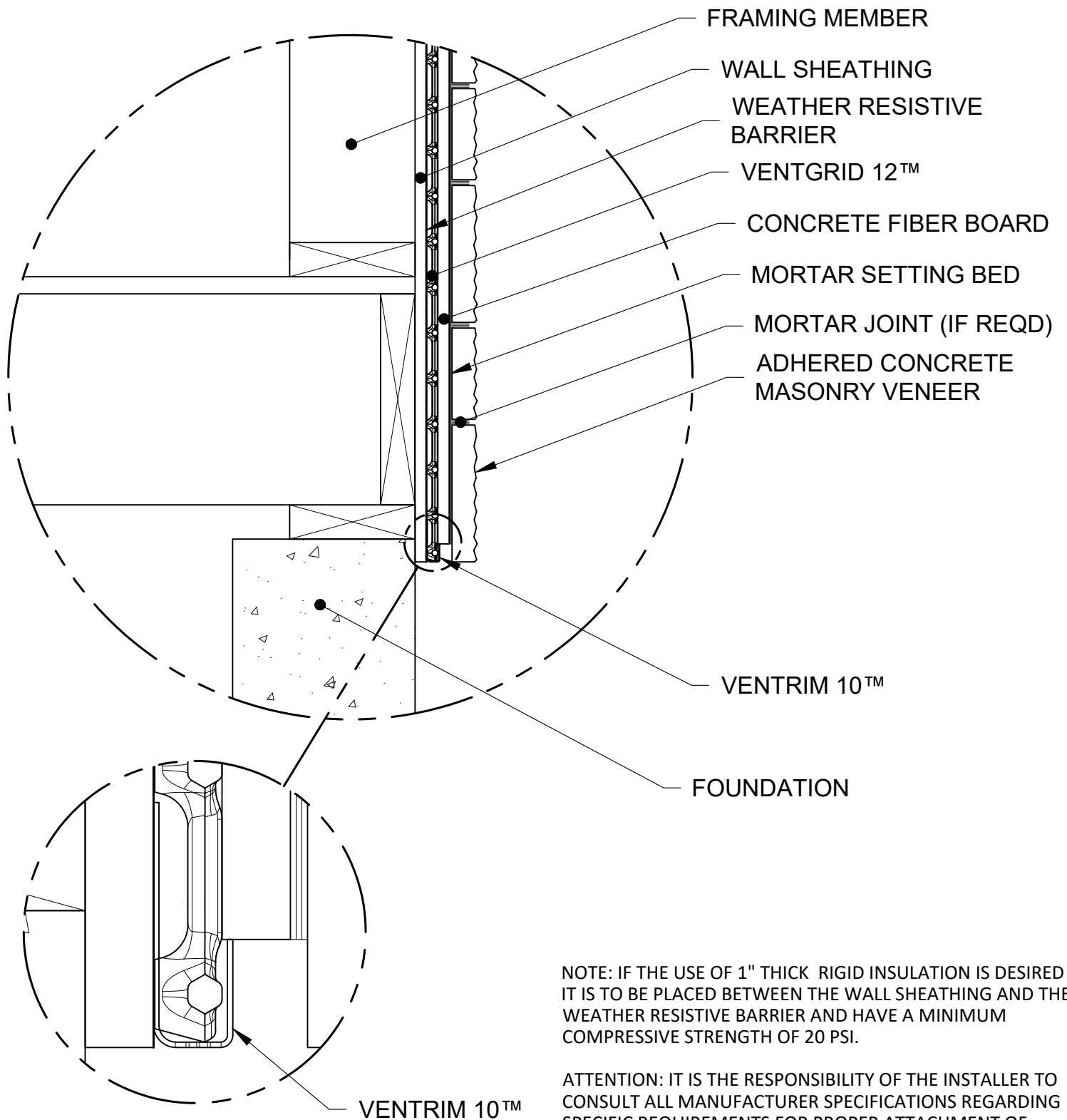
# BOTTOM OF WALL DETAIL

VENTGRID 12™ & VENTRIM 10™

NOT TO SCALE

ASSEMBLY SHOWN WITH WOODEN SHINGLE SIDING

VG12-005



NOTE: IF THE USE OF 1" THICK RIGID INSULATION IS DESIRED IT IS TO BE PLACED BETWEEN THE WALL SHEATHING AND THE WEATHER RESISTIVE BARRIER AND HAVE A MINIMUM COMPRESSIVE STRENGTH OF 20 PSI.

ATTENTION: IT IS THE RESPONSIBILITY OF THE INSTALLER TO CONSULT ALL MANUFACTURER SPECIFICATIONS REGARDING SPECIFIC REQUIREMENTS FOR PROPER ATTACHMENT OF MATERIALS AND TO ALSO ENSURE MATERIAL INSTALLATION CONFORMS TO LOCAL CODE REQUIREMENTS.



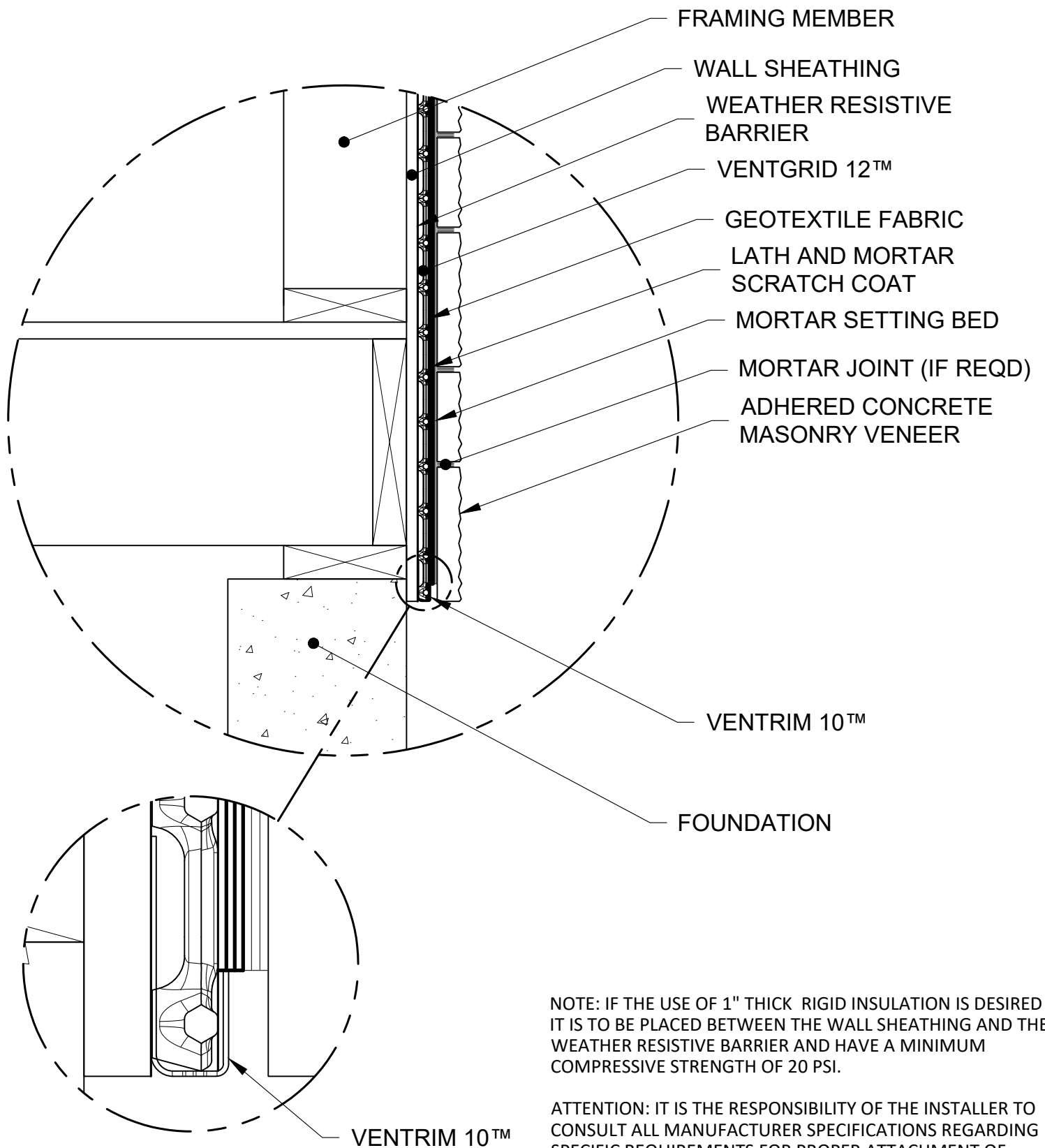
## BOTTOM OF WALL DETAIL

VENTGRID 12™ & VENTRIM 10™

NOT TO SCALE

ASSEMBLY SHOWN WITH ADHERED CONCRETE MASONRY VENEER  
ON CONCRETE FIBER BOARD

VG12-006



NOTE: IF THE USE OF 1" THICK RIGID INSULATION IS DESIRED IT IS TO BE PLACED BETWEEN THE WALL SHEATHING AND THE WEATHER RESISTIVE BARRIER AND HAVE A MINIMUM COMPRESSIVE STRENGTH OF 20 PSI.

ATTENTION: IT IS THE RESPONSIBILITY OF THE INSTALLER TO CONSULT ALL MANUFACTURER SPECIFICATIONS REGARDING SPECIFIC REQUIREMENTS FOR PROPER ATTACHMENT OF MATERIALS AND TO ALSO ENSURE MATERIAL INSTALLATION CONFORMS TO LOCAL CODE REQUIREMENTS.



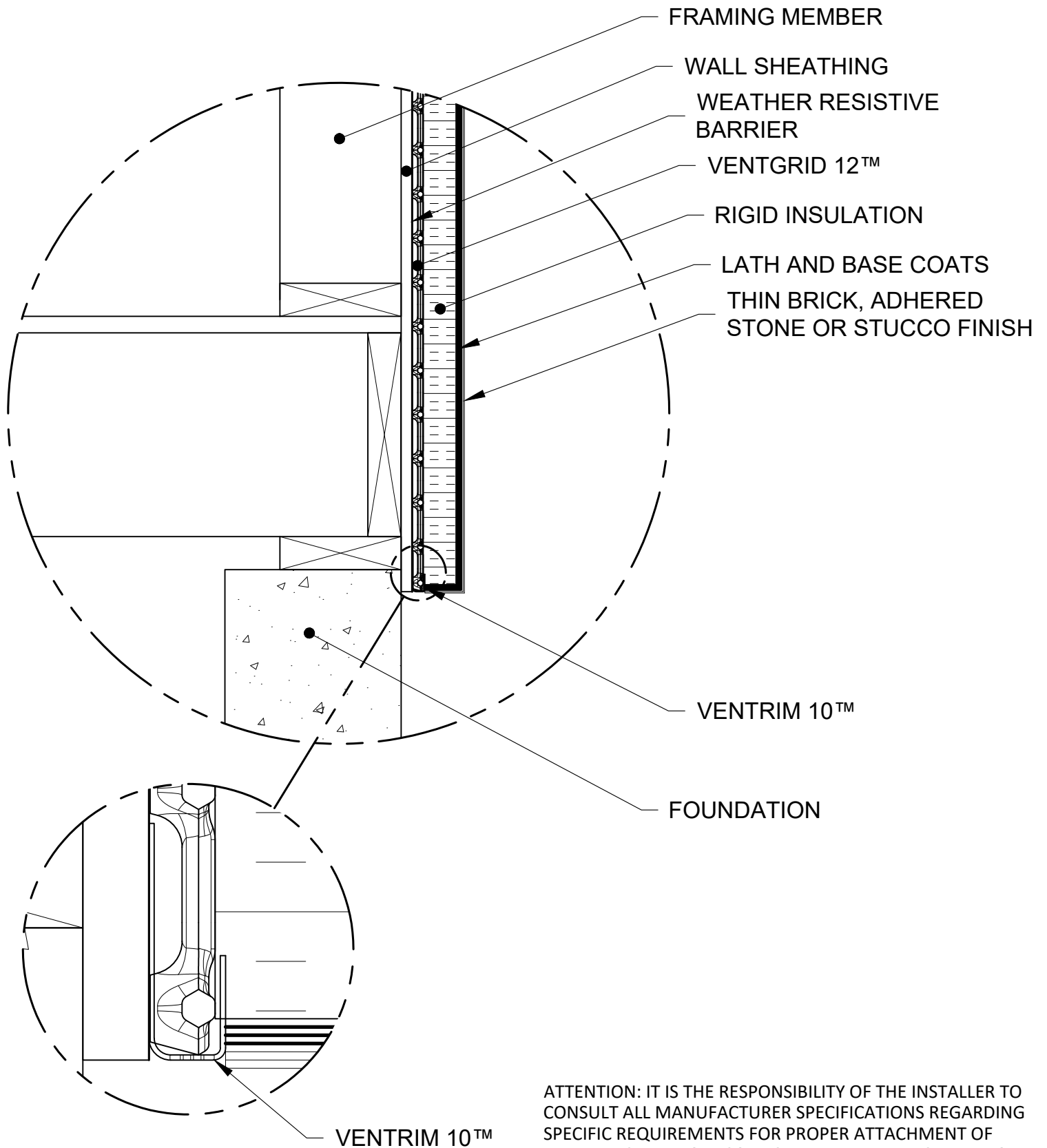
## BOTTOM OF WALL DETAIL

VENTGRID 12™ & VENTRIM 10™

NOT TO SCALE

ASSEMBLY SHOWN WITH ADHERED CONCRETE MASONRY VENEER  
ON LATH AND MORTAR SCRATCH COAT

VG12-007



ATTENTION: IT IS THE RESPONSIBILITY OF THE INSTALLER TO CONSULT ALL MANUFACTURER SPECIFICATIONS REGARDING SPECIFIC REQUIREMENTS FOR PROPER ATTACHMENT OF MATERIALS AND TO ALSO ENSURE MATERIAL INSTALLATION CONFORMS TO LOCAL CODE REQUIREMENTS.



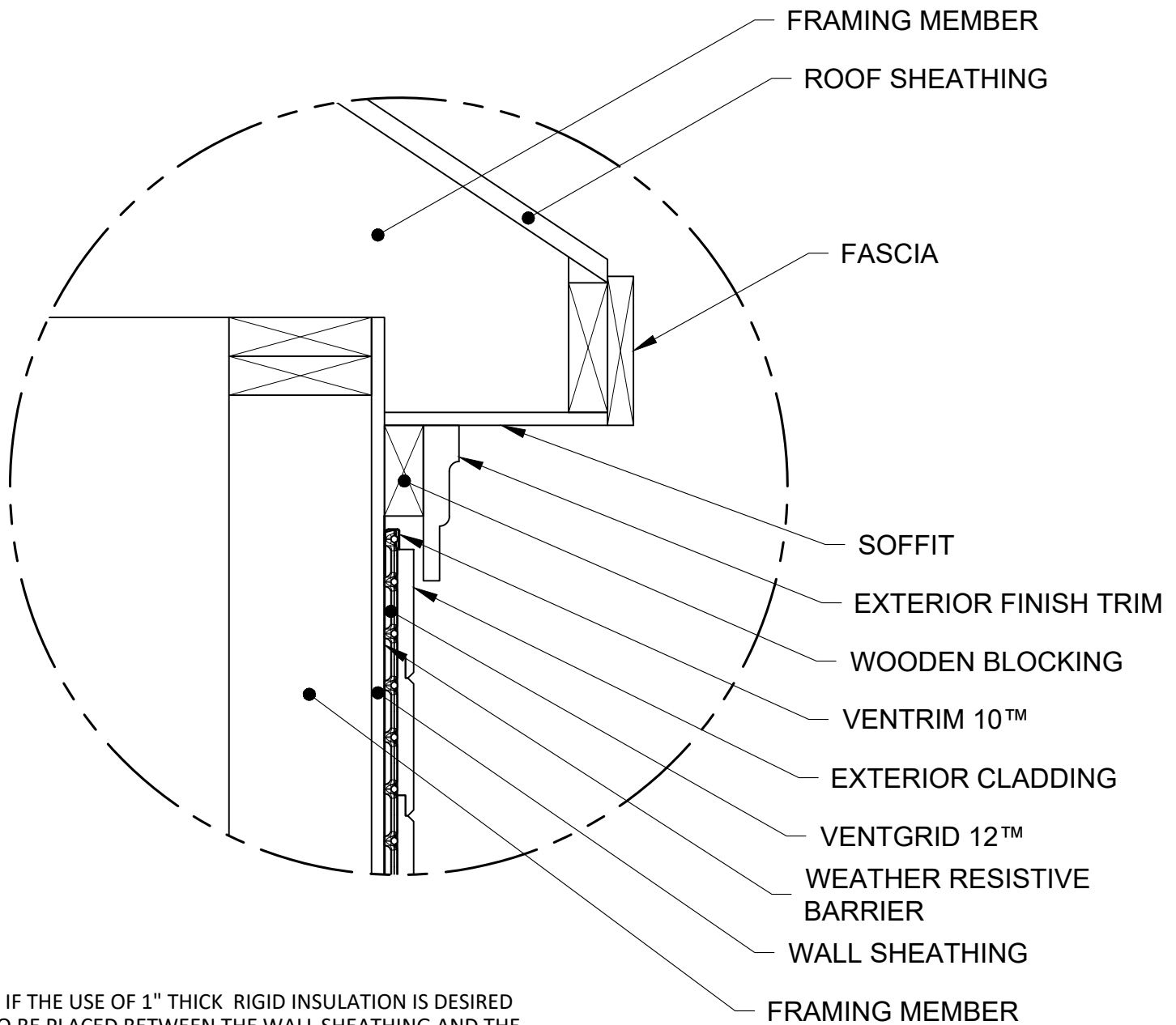
## BOTTOM OF WALL DETAIL

VENTGRID 12™ & VENTRIM 10™

NOT TO SCALE

ASSEMBLY SHOWN WITH STUCCO FINISH ON LATH AND BASE COATS OVER RIGID INSULATION

VG12-008



NOTE: IF THE USE OF 1" THICK RIGID INSULATION IS DESIRED IT IS TO BE PLACED BETWEEN THE WALL SHEATHING AND THE WEATHER RESISTIVE BARRIER AND HAVE A MINIMUM COMPRESSIVE STRENGTH OF 20 PSI.

ATTENTION: IT IS THE RESPONSIBILITY OF THE INSTALLER TO CONSULT ALL MANUFACTURER SPECIFICATIONS REGARDING SPECIFIC REQUIREMENTS FOR PROPER ATTACHMENT OF MATERIALS AND TO ALSO ENSURE MATERIAL INSTALLATION CONFORMS TO LOCAL CODE REQUIREMENTS.

## ROOF EDGE & TOP OF WALL DETAIL

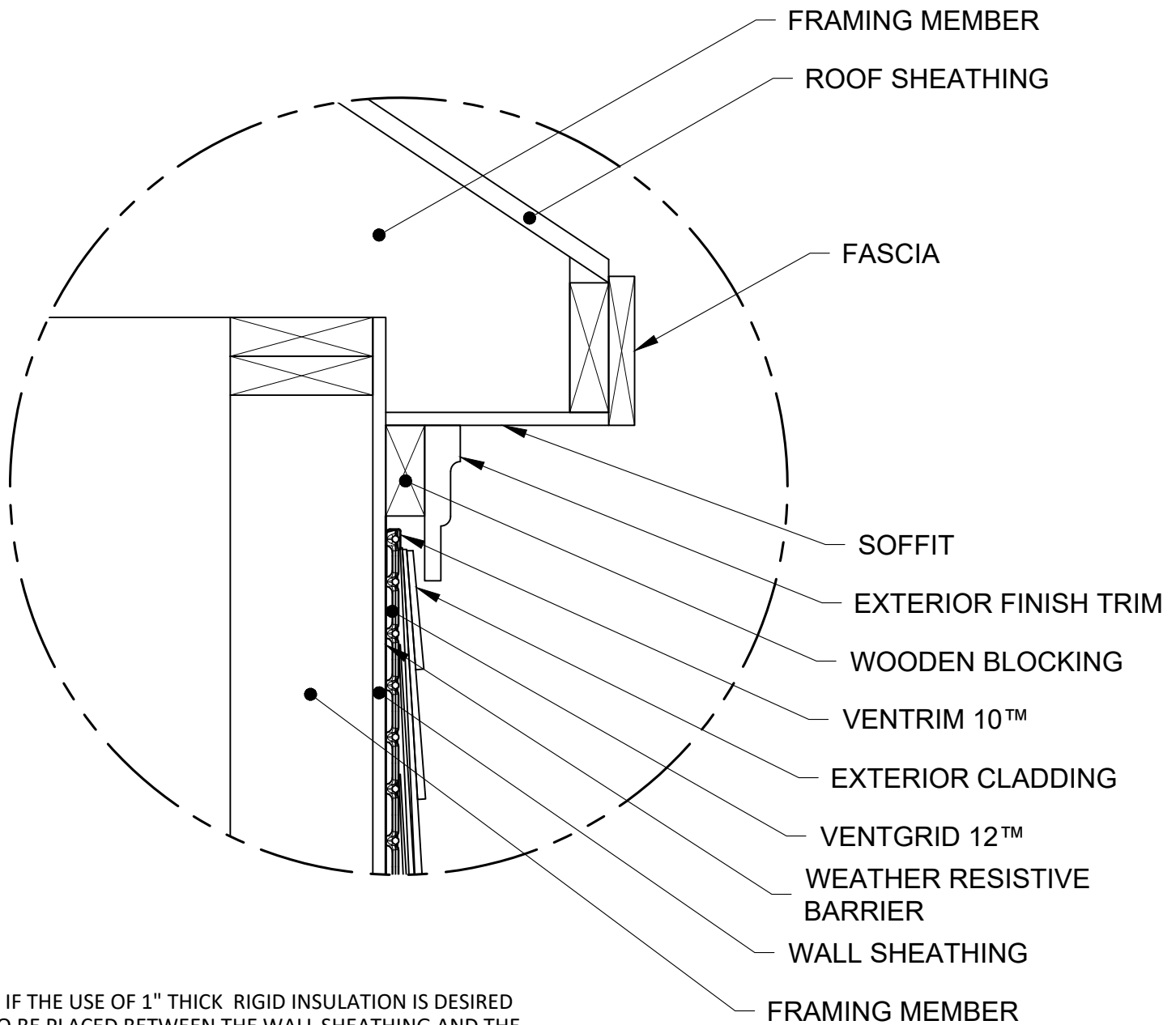
VENTGRID 12™ & VENTRIM 10™

NOT TO SCALE

ASSEMBLY SHOWN WITH PROFILED WOOD SIDING

VG12-104





NOTE: IF THE USE OF 1" THICK RIGID INSULATION IS DESIRED IT IS TO BE PLACED BETWEEN THE WALL SHEATHING AND THE WEATHER RESISTIVE BARRIER AND HAVE A MINIMUM COMPRESSIVE STRENGTH OF 20 PSI.

ATTENTION: IT IS THE RESPONSIBILITY OF THE INSTALLER TO CONSULT ALL MANUFACTURER SPECIFICATIONS REGARDING SPECIFIC REQUIREMENTS FOR PROPER ATTACHMENT OF MATERIALS AND TO ALSO ENSURE MATERIAL INSTALLATION CONFORMS TO LOCAL CODE REQUIREMENTS.

## ROOF EDGE & TOP OF WALL DETAIL

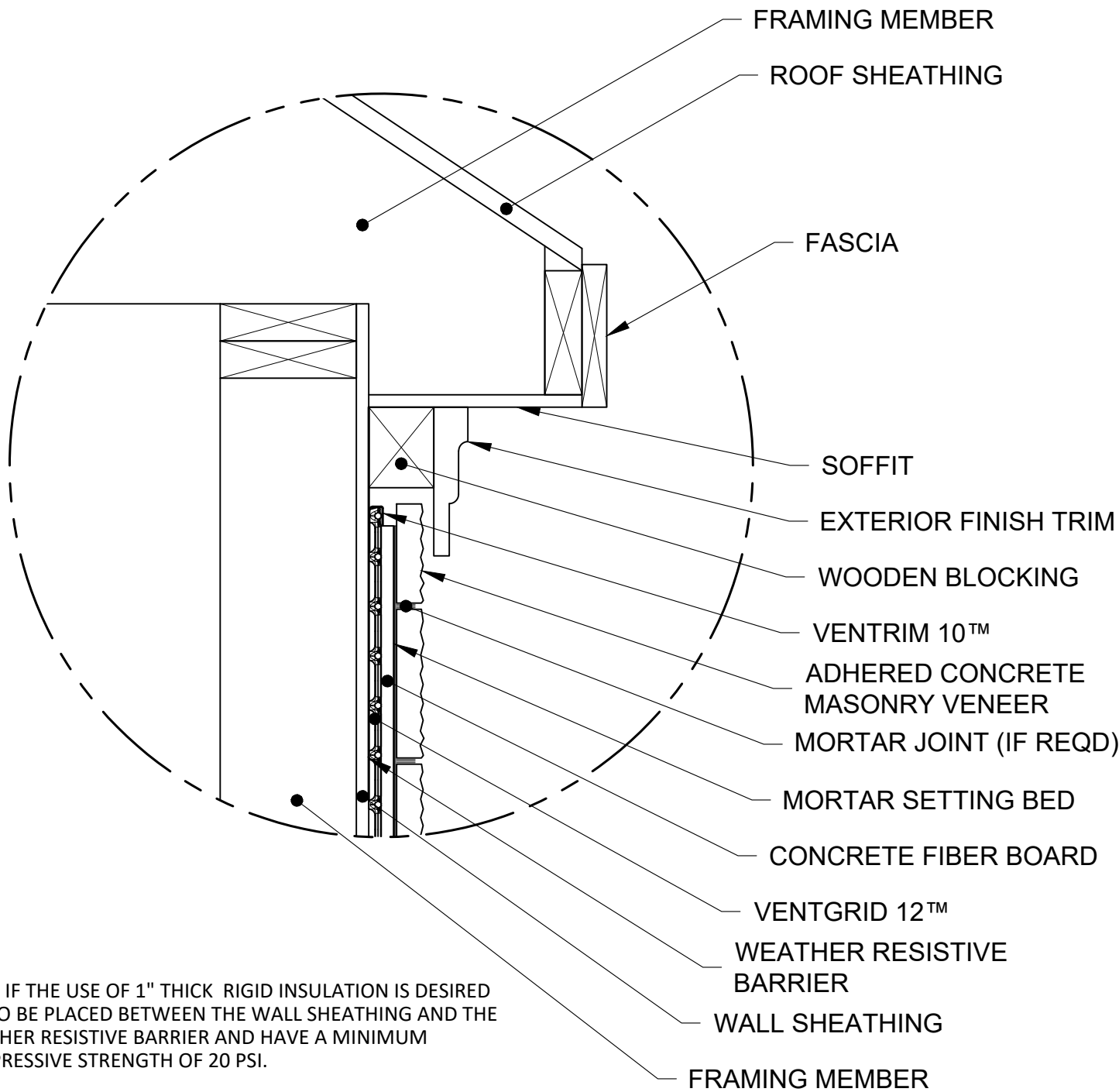
VENTGRID 12™ & VENTRIM 10™

NOT TO SCALE

ASSEMBLY SHOWN WITH WOODEN SHINGLE SIDING

VG12-105





NOTE: IF THE USE OF 1" THICK RIGID INSULATION IS DESIRED IT IS TO BE PLACED BETWEEN THE WALL SHEATHING AND THE WEATHER RESISTIVE BARRIER AND HAVE A MINIMUM COMPRESSIVE STRENGTH OF 20 PSI.

ATTENTION: IT IS THE RESPONSIBILITY OF THE INSTALLER TO CONSULT ALL MANUFACTURER SPECIFICATIONS REGARDING SPECIFIC REQUIREMENTS FOR PROPER ATTACHMENT OF MATERIALS AND TO ALSO ENSURE MATERIAL INSTALLATION CONFORMS TO LOCAL CODE REQUIREMENTS.

# ROOF EDGE & TOP OF WALL DETAIL

**VENTGRID 12™ & VENTRIM 10™**

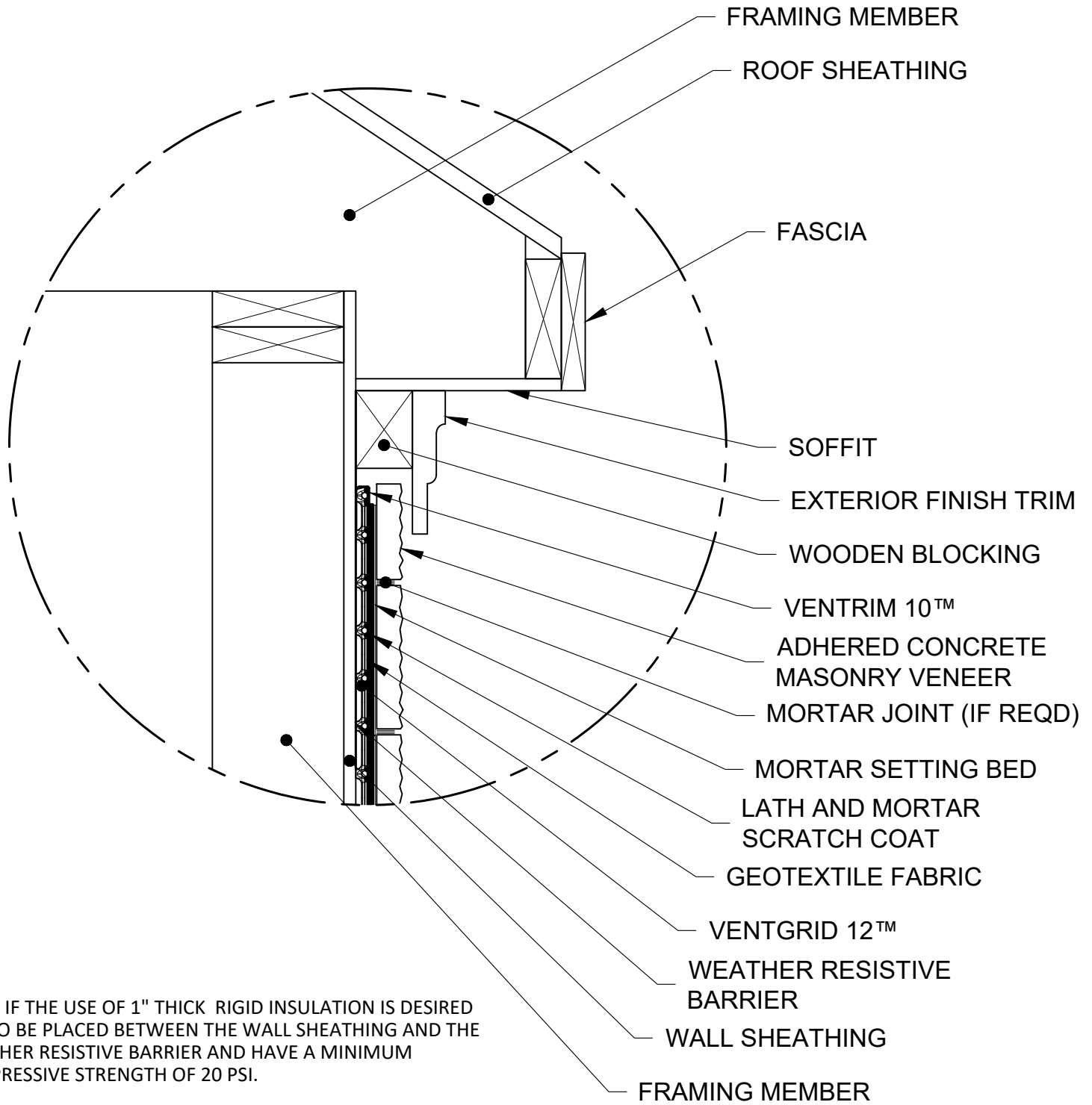
NOT TO SCALE

ASSEMBLY SHOWN WITH ADHERED CONCRETE MASONRY VENEER ON CONCRETE FIBER BOARD

**VG12-106**







NOTE: IF THE USE OF 1" THICK RIGID INSULATION IS DESIRED IT IS TO BE PLACED BETWEEN THE WALL SHEATHING AND THE WEATHER RESISTIVE BARRIER AND HAVE A MINIMUM COMPRESSIVE STRENGTH OF 20 PSI.

ATTENTION: IT IS THE RESPONSIBILITY OF THE INSTALLER TO CONSULT ALL MANUFACTURER SPECIFICATIONS REGARDING SPECIFIC REQUIREMENTS FOR PROPER ATTACHMENT OF MATERIALS AND TO ALSO ENSURE MATERIAL INSTALLATION CONFORMS TO LOCAL CODE REQUIREMENTS.



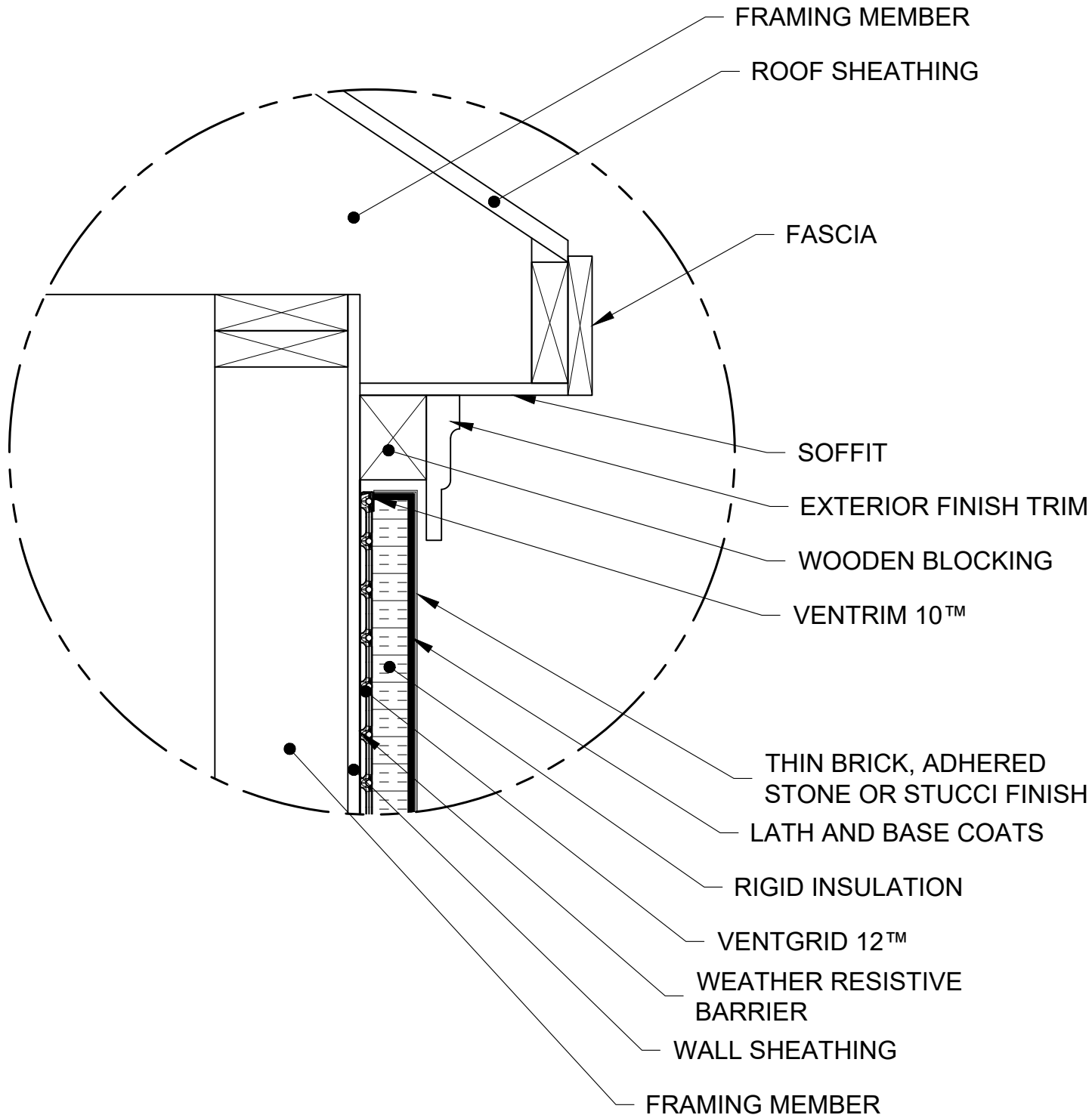
# ROOF EDGE & TOP OF WALL DETAIL

**VENTGRID 12™ & VENTRIM 10™**

NOT TO SCALE

ASSEMBLY SHOWN WITH ADHERED CONCRETE MASONRY VENEER ON LATH AND MORTAR SCRATCH COAT

**VG12-107**



ATTENTION: IT IS THE RESPONSIBILITY OF THE INSTALLER TO CONSULT ALL MANUFACTURER SPECIFICATIONS REGARDING SPECIFIC REQUIREMENTS FOR PROPER ATTACHMENT OF MATERIALS AND TO ALSO ENSURE MATERIAL INSTALLATION CONFORMS TO LOCAL CODE REQUIREMENTS.

## ROOF EDGE & TOP OF WALL DETAIL

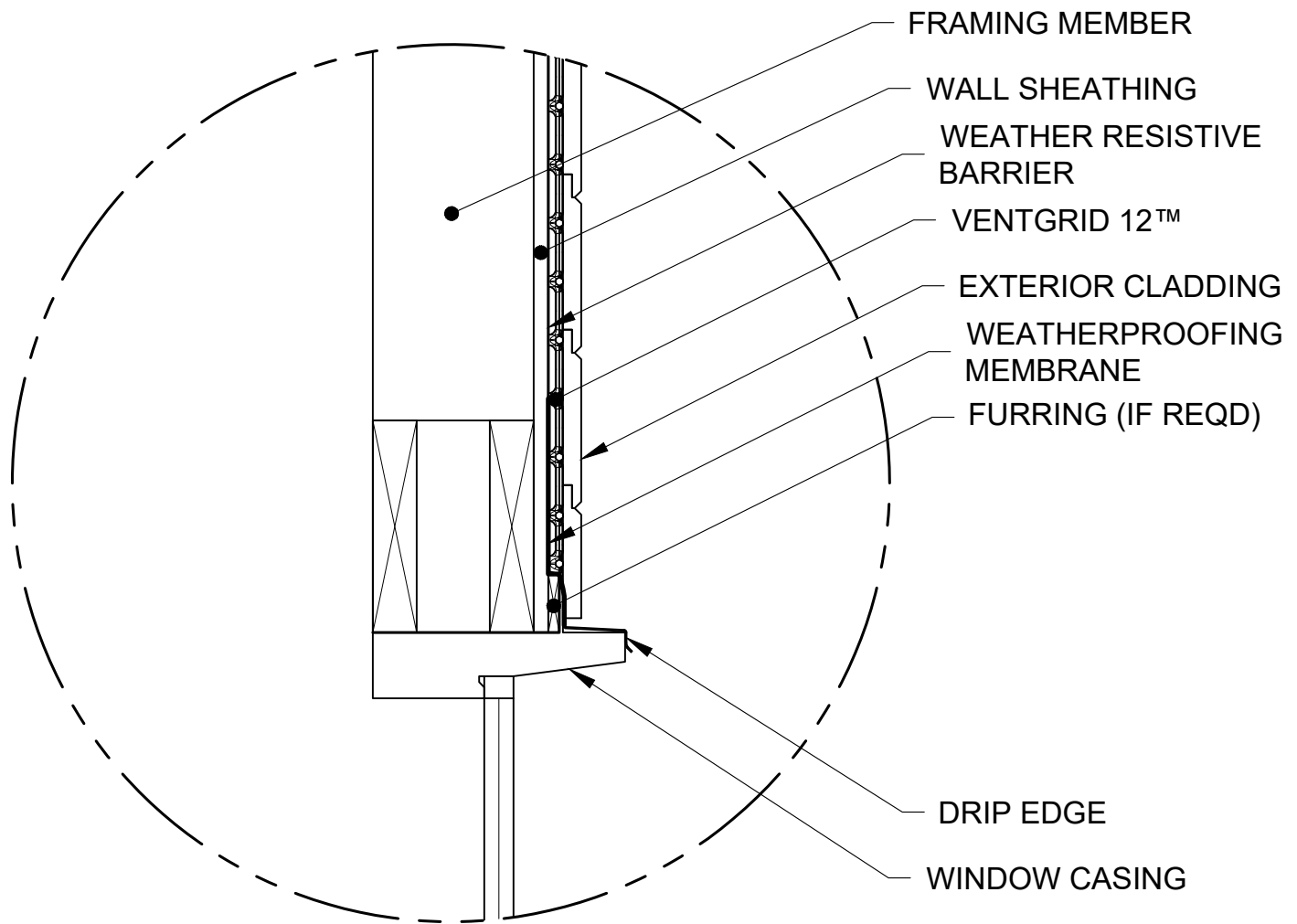
VENTGRID 12™ & VENTRIM 10™

NOT TO SCALE

ASSEMBLY SHOWN WITH STUCCO FINISH ON LATH  
AND BASE COATS OVER RIGID INSULATION

VG12-108





NOTE: IF THE USE OF 1" THICK RIGID INSULATION IS DESIRED IT IS TO BE PLACED BETWEEN THE WALL SHEATHING AND THE WEATHER RESISTIVE BARRIER AND HAVE A MINIMUM COMPRESSIVE STRENGTH OF 20 PSI.

ATTENTION: IT IS THE RESPONSIBILITY OF THE INSTALLER TO CONSULT ALL MANUFACTURER SPECIFICATIONS REGARDING SPECIFIC REQUIREMENTS FOR PROPER ATTACHMENT OF MATERIALS AND TO ALSO ENSURE MATERIAL INSTALLATION CONFORMS TO LOCAL CODE REQUIREMENTS.



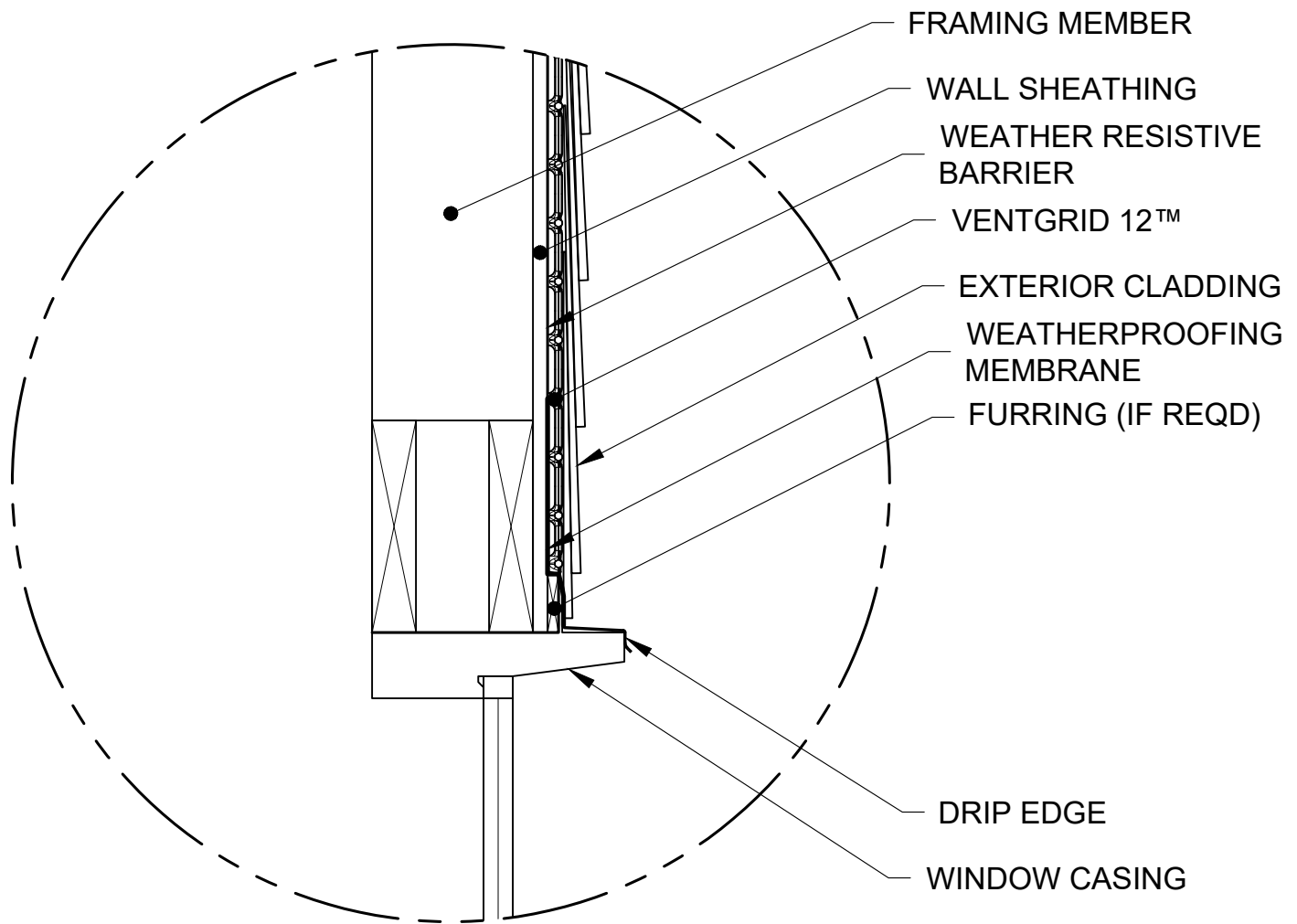
# WINDOW HEAD DETAIL

VENTGRID 12™

NOT TO SCALE

ASSEMBLY SHOWN WITH PROFILED WOOD SIDING

VG12-200



FRAMING MEMBER

WALL SHEATHING

WEATHER RESISTIVE BARRIER

VENTGRID 12™

EXTERIOR CLADDING

WEATHERPROOFING MEMBRANE

FURRING (IF REQD)

DRIP EDGE

WINDOW CASING

NOTE: IF THE USE OF 1" THICK RIGID INSULATION IS DESIRED IT IS TO BE PLACED BETWEEN THE WALL SHEATHING AND THE WEATHER RESISTIVE BARRIER AND HAVE A MINIMUM COMPRESSIVE STRENGTH OF 20 PSI.

ATTENTION: IT IS THE RESPONSIBILITY OF THE INSTALLER TO CONSULT ALL MANUFACTURER SPECIFICATIONS REGARDING SPECIFIC REQUIREMENTS FOR PROPER ATTACHMENT OF MATERIALS AND TO ALSO ENSURE MATERIAL INSTALLATION CONFORMS TO LOCAL CODE REQUIREMENTS.



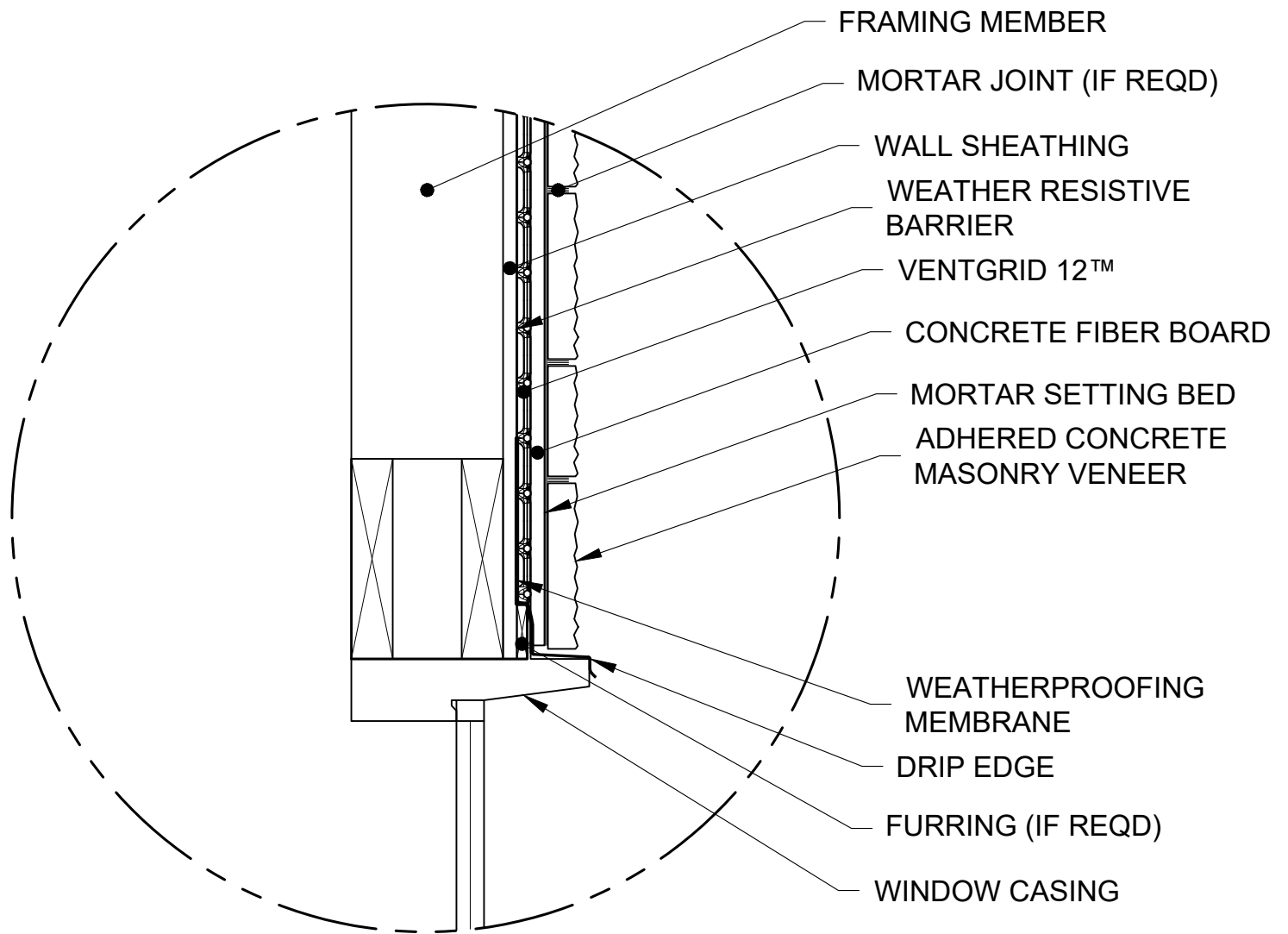
## WINDOW HEAD DETAIL

VENTGRID 12™

NOT TO SCALE

ASSEMBLY SHOWN WITH WOODEN SHINGLE SIDING

VG12-201



NOTE: IF THE USE OF 1" THICK RIGID INSULATION IS DESIRED IT IS TO BE PLACED BETWEEN THE WALL SHEATHING AND THE WEATHER RESISTIVE BARRIER AND HAVE A MINIMUM COMPRESSIVE STRENGTH OF 20 PSI.

ATTENTION: IT IS THE RESPONSIBILITY OF THE INSTALLER TO CONSULT ALL MANUFACTURER SPECIFICATIONS REGARDING SPECIFIC REQUIREMENTS FOR PROPER ATTACHMENT OF MATERIALS AND TO ALSO ENSURE MATERIAL INSTALLATION CONFORMS TO LOCAL CODE REQUIREMENTS.



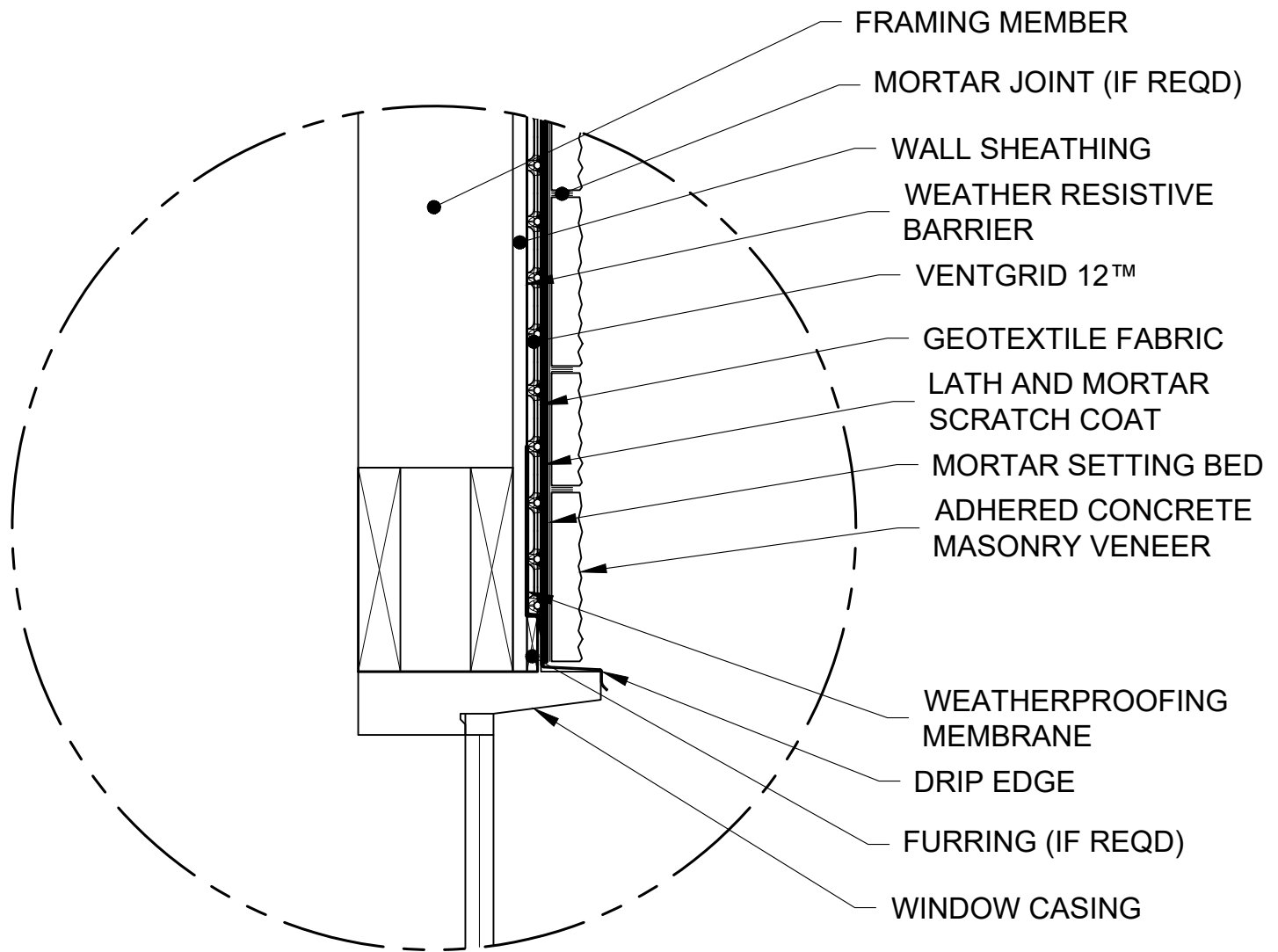
## WINDOW HEAD DETAIL

VENTGRID 12™

NOT TO SCALE

ASSEMBLY SHOWN WITH ADHERED CONCRETE MASONRY VENEER  
ON CONCRETE FIBER BOARD

VG12-202



NOTE: IF THE USE OF 1" THICK RIGID INSULATION IS DESIRED IT IS TO BE PLACED BETWEEN THE WALL SHEATHING AND THE WEATHER RESISTIVE BARRIER AND HAVE A MINIMUM COMPRESSIVE STRENGTH OF 20 PSI.

ATTENTION: IT IS THE RESPONSIBILITY OF THE INSTALLER TO CONSULT ALL MANUFACTURER SPECIFICATIONS REGARDING SPECIFIC REQUIREMENTS FOR PROPER ATTACHMENT OF MATERIALS AND TO ALSO ENSURE MATERIAL INSTALLATION CONFORMS TO LOCAL CODE REQUIREMENTS.



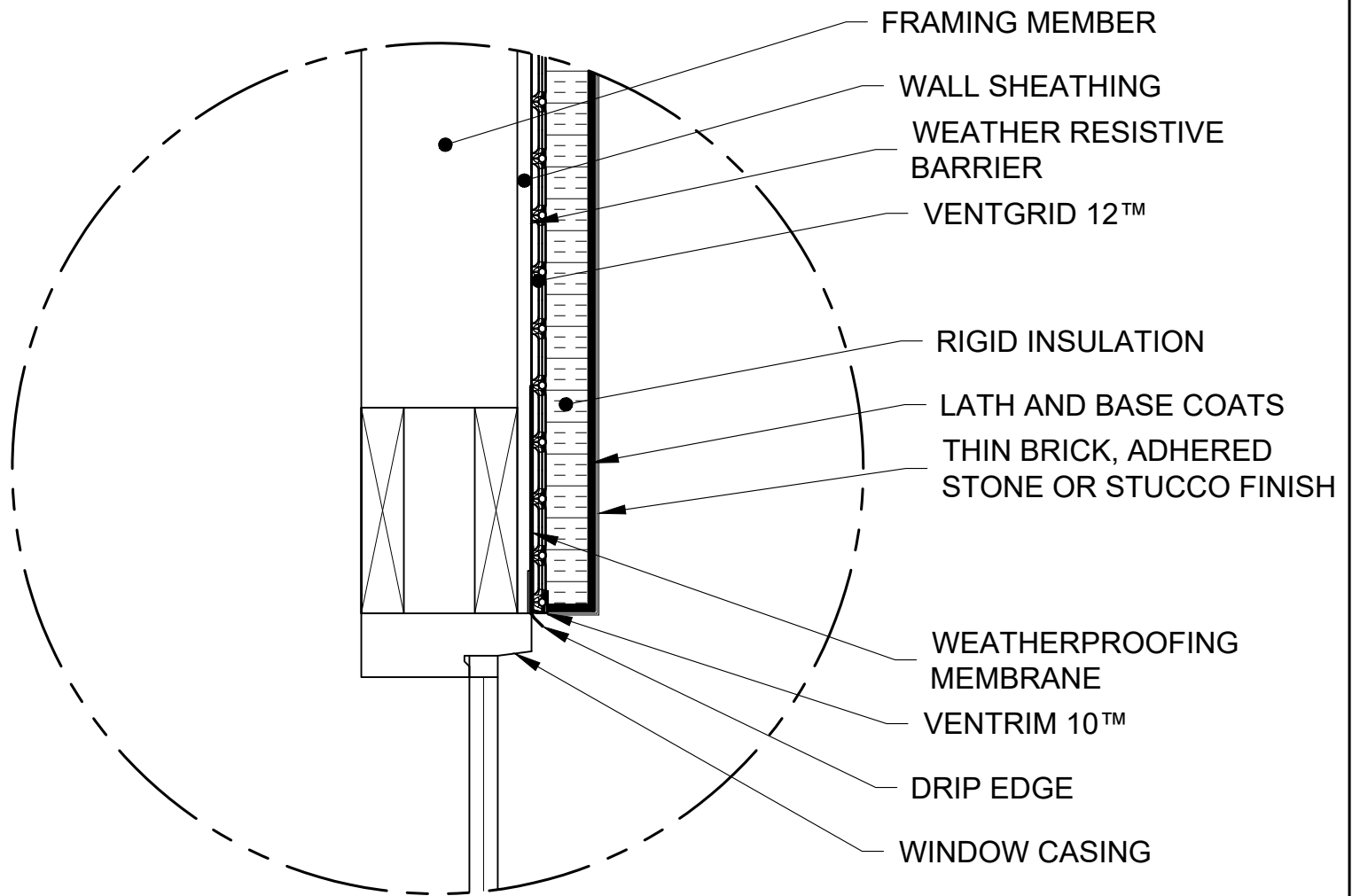
## WINDOW HEAD DETAIL

VENTGRID 12™

NOT TO SCALE

ASSEMBLY SHOWN WITH ADHERED CONCRETE MASONRY VENEER  
ON LATH AND MORTAR SCRATCH COAT

VG12-203



ATTENTION: IT IS THE RESPONSIBILITY OF THE INSTALLER TO CONSULT ALL MANUFACTURER SPECIFICATIONS REGARDING SPECIFIC REQUIREMENTS FOR PROPER ATTACHMENT OF MATERIALS AND TO ALSO ENSURE MATERIAL INSTALLATION CONFORMS TO LOCAL CODE REQUIREMENTS.

## WINDOW HEAD DETAIL

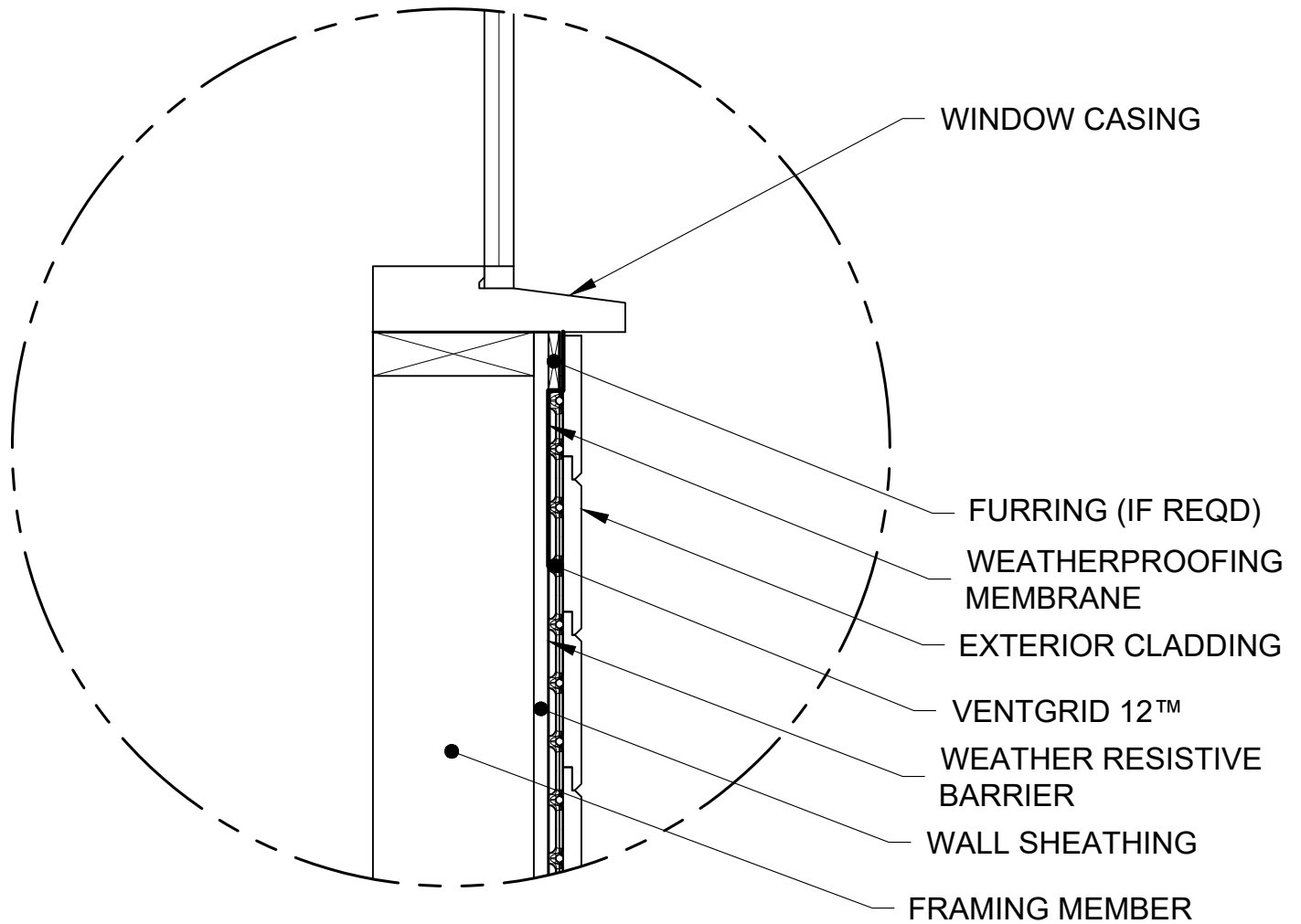
VENTGRID 12™ & VENTRIM 10™

NOT TO SCALE

ASSEMBLY SHOWN WITH STUCCO FINISH ON LATH AND BASE COATS OVER RIGID INSULATION

VG12-204





NOTE: IF THE USE OF 1" THICK RIGID INSULATION IS DESIRED IT IS TO BE PLACED BETWEEN THE WALL SHEATHING AND THE WEATHER RESISTIVE BARRIER AND HAVE A MINIMUM COMPRESSIVE STRENGTH OF 20 PSI.

ATTENTION: IT IS THE RESPONSIBILITY OF THE INSTALLER TO CONSULT ALL MANUFACTURER SPECIFICATIONS REGARDING SPECIFIC REQUIREMENTS FOR PROPER ATTACHMENT OF MATERIALS AND TO ALSO ENSURE MATERIAL INSTALLATION CONFORMS TO LOCAL CODE REQUIREMENTS.



## WINDOW SILL DETAIL

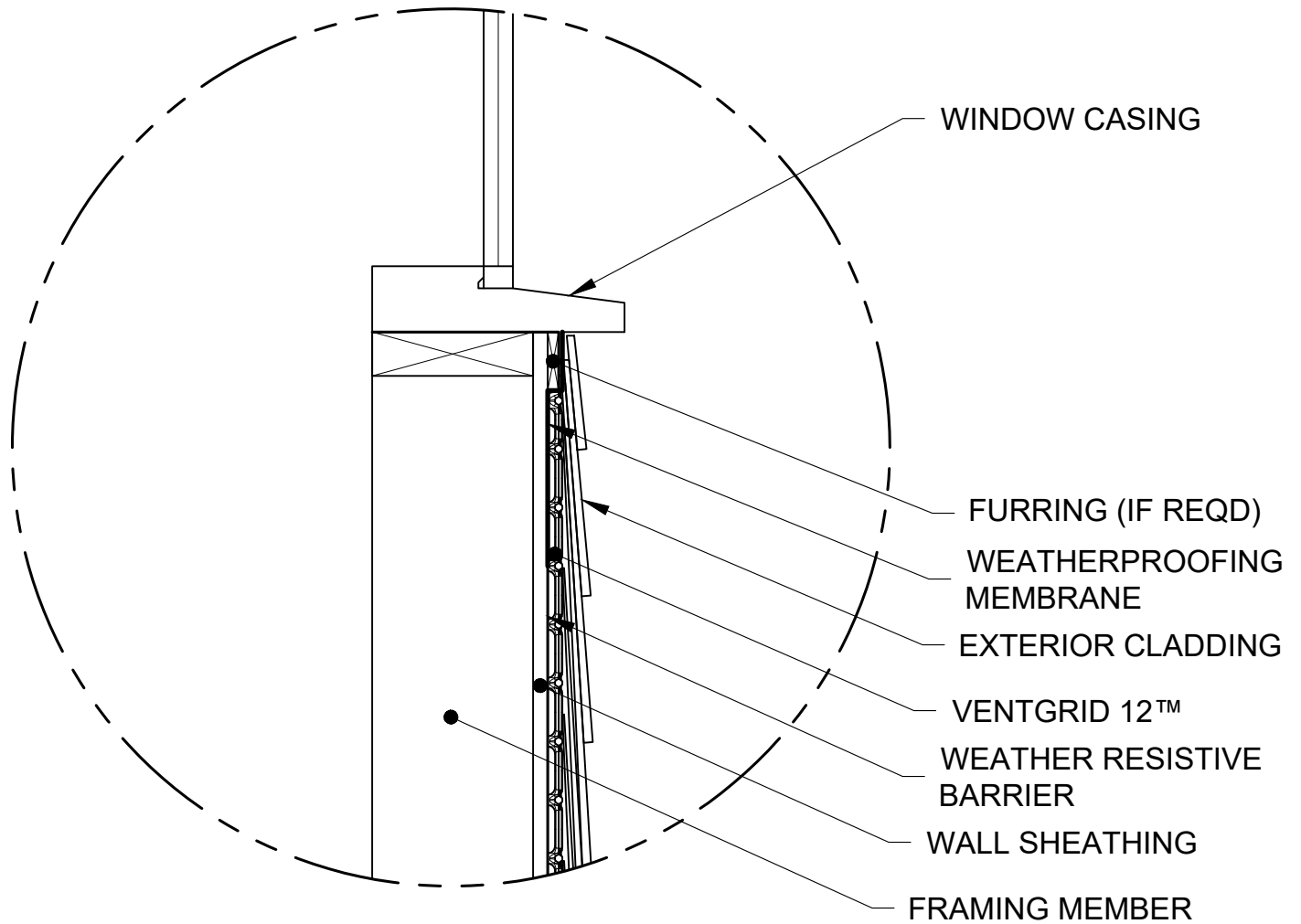
VENTGRID 12™

NOT TO SCALE

ASSEMBLY SHOWN WITH PROFILED WOOD SIDING

VG12-300





NOTE: IF THE USE OF 1" THICK RIGID INSULATION IS DESIRED IT IS TO BE PLACED BETWEEN THE WALL SHEATHING AND THE WEATHER RESISTIVE BARRIER AND HAVE A MINIMUM COMPRESSIVE STRENGTH OF 20 PSI.

ATTENTION: IT IS THE RESPONSIBILITY OF THE INSTALLER TO CONSULT ALL MANUFACTURER SPECIFICATIONS REGARDING SPECIFIC REQUIREMENTS FOR PROPER ATTACHMENT OF MATERIALS AND TO ALSO ENSURE MATERIAL INSTALLATION CONFORMS TO LOCAL CODE REQUIREMENTS.



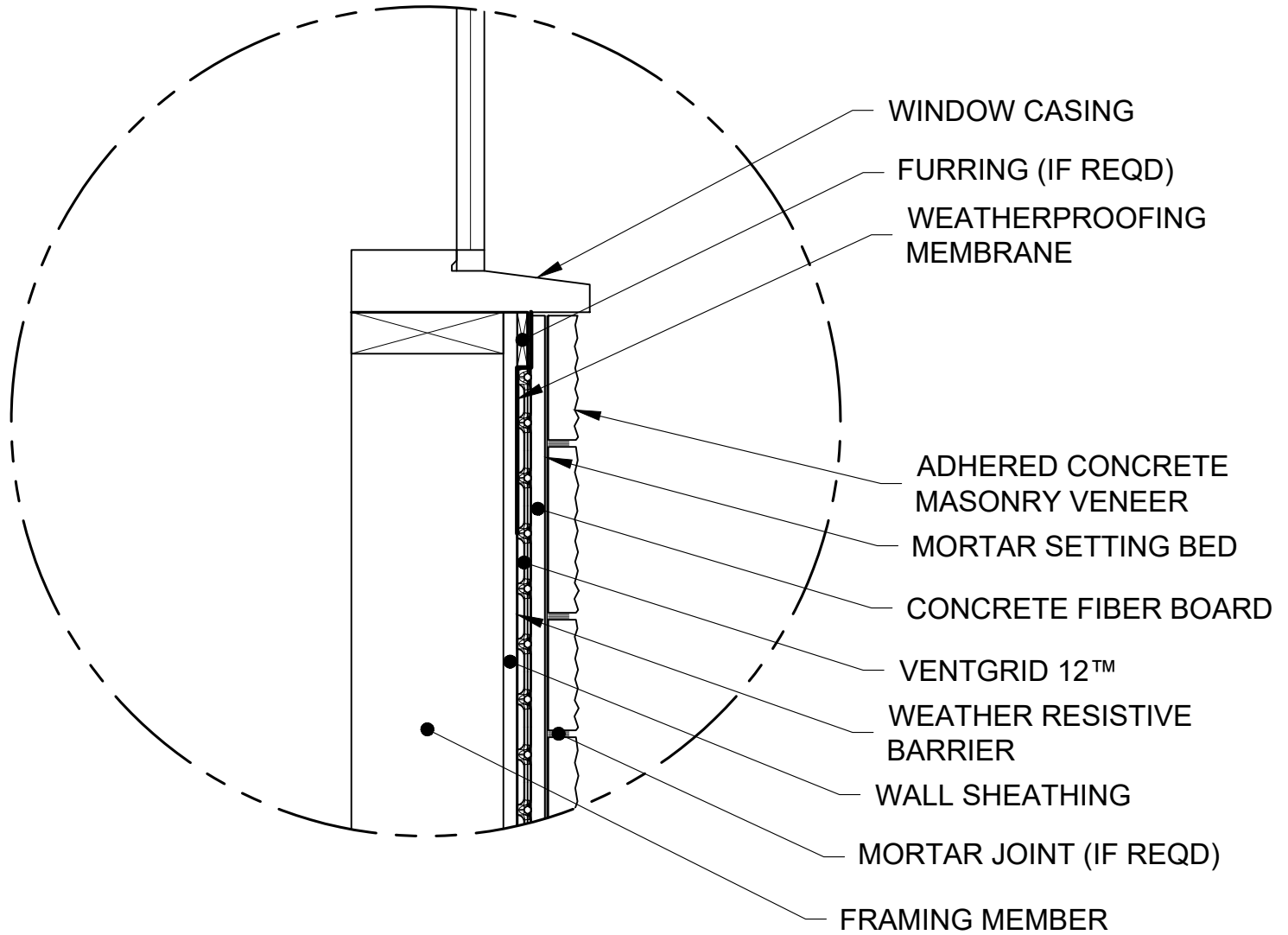
## WINDOW SILL DETAIL

VENTGRID 12™

NOT TO SCALE

ASSEMBLY SHOWN WITH WOODEN SHINGLE SIDING

VG12-301



NOTE: IF THE USE OF 1" THICK RIGID INSULATION IS DESIRED IT IS TO BE PLACED BETWEEN THE WALL SHEATHING AND THE WEATHER RESISTIVE BARRIER AND HAVE A MINIMUM COMPRESSIVE STRENGTH OF 20 PSI.

ATTENTION: IT IS THE RESPONSIBILITY OF THE INSTALLER TO CONSULT ALL MANUFACTURER SPECIFICATIONS REGARDING SPECIFIC REQUIREMENTS FOR PROPER ATTACHMENT OF MATERIALS AND TO ALSO ENSURE MATERIAL INSTALLATION CONFORMS TO LOCAL CODE REQUIREMENTS.



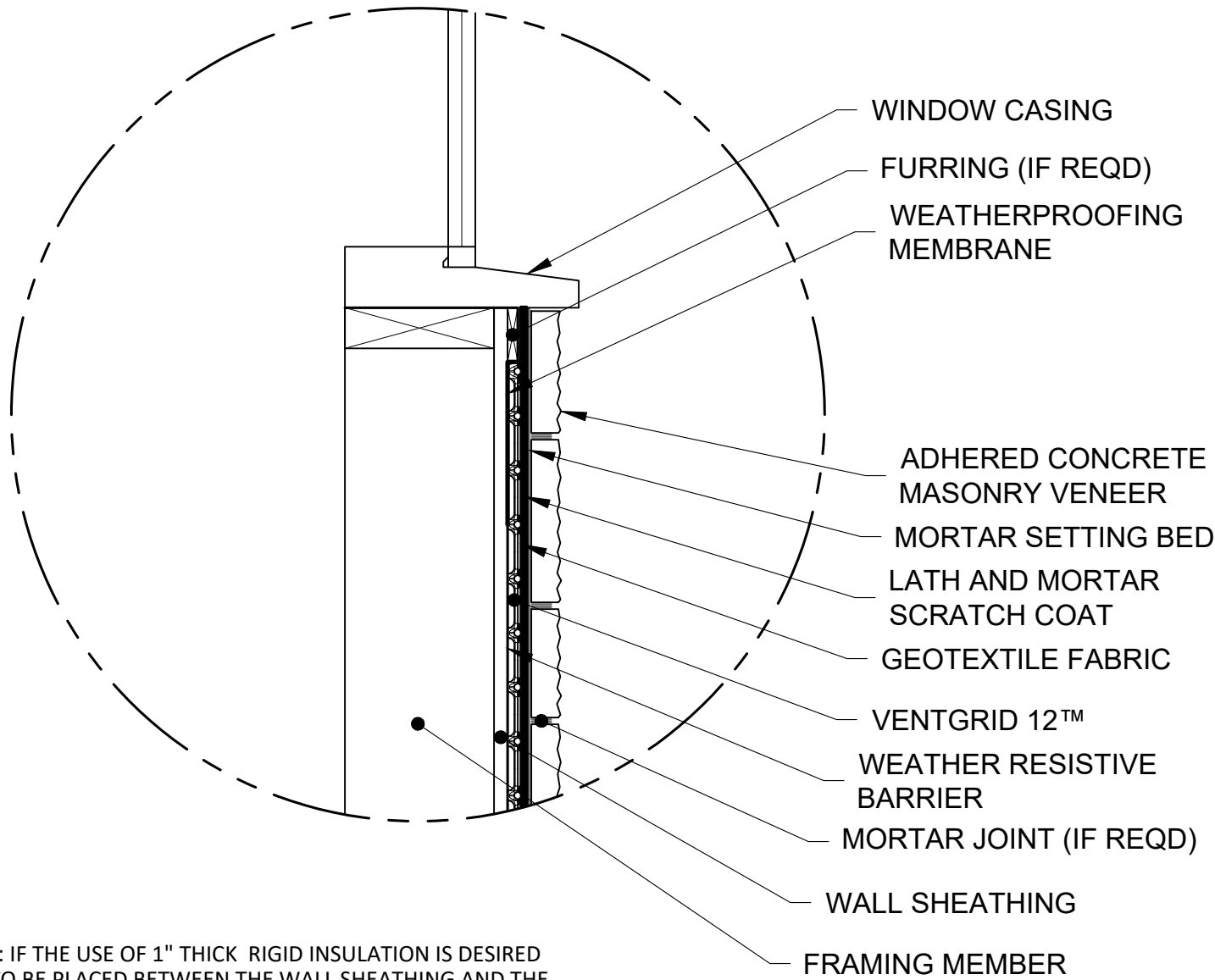
## WINDOW SILL DETAIL

VENTGRID 12™

NOT TO SCALE

ASSEMBLY SHOWN WITH ADHERED CONCRETE MASONRY VENEER ON CONCRETE FIBER BOARD

VG12-302



WINDOW CASING

FURRING (IF REQD)

WEATHERPROOFING  
MEMBRANE

ADHERED CONCRETE  
MASONRY VENEER

MORTAR SETTING BED

LATH AND MORTAR  
SCRATCH COAT

GEOTEXTILE FABRIC

VENTGRID 12™

WEATHER RESISTIVE  
BARRIER

MORTAR JOINT (IF REQD)

WALL SHEATHING

FRAMING MEMBER

NOTE: IF THE USE OF 1" THICK RIGID INSULATION IS DESIRED IT IS TO BE PLACED BETWEEN THE WALL SHEATHING AND THE WEATHER RESISTIVE BARRIER AND HAVE A MINIMUM COMPRESSIVE STRENGTH OF 20 PSI.

ATTENTION: IT IS THE RESPONSIBILITY OF THE INSTALLER TO CONSULT ALL MANUFACTURER SPECIFICATIONS REGARDING SPECIFIC REQUIREMENTS FOR PROPER ATTACHMENT OF MATERIALS AND TO ALSO ENSURE MATERIAL INSTALLATION CONFORMS TO LOCAL CODE REQUIREMENTS.



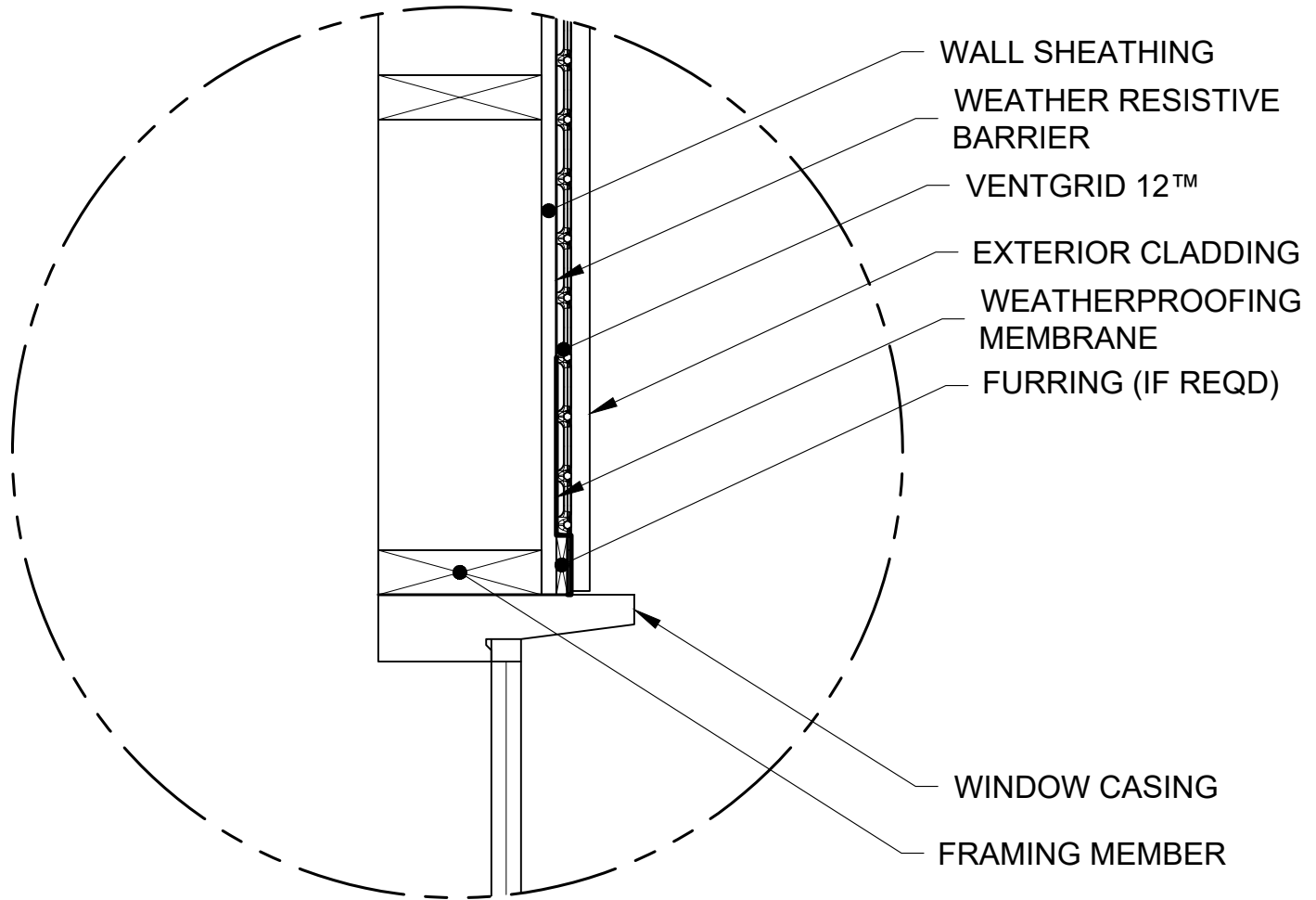
# WINDOW SILL DETAIL

VENTGRID 12™

NOT TO SCALE

ASSEMBLY SHOWN WITH ADHERED CONCRETE MASONRY VENEER  
ON LATH AND MORTAR SCRATCH COAT

VG12-303



NOTE: IF THE USE OF 1" THICK RIGID INSULATION IS DESIRED IT IS TO BE PLACED BETWEEN THE WALL SHEATHING AND THE WEATHER RESISTIVE BARRIER AND HAVE A MINIMUM COMPRESSIVE STRENGTH OF 20 PSI.

ATTENTION: IT IS THE RESPONSIBILITY OF THE INSTALLER TO CONSULT ALL MANUFACTURER SPECIFICATIONS REGARDING SPECIFIC REQUIREMENTS FOR PROPER ATTACHMENT OF MATERIALS AND TO ALSO ENSURE MATERIAL INSTALLATION CONFORMS TO LOCAL CODE REQUIREMENTS.



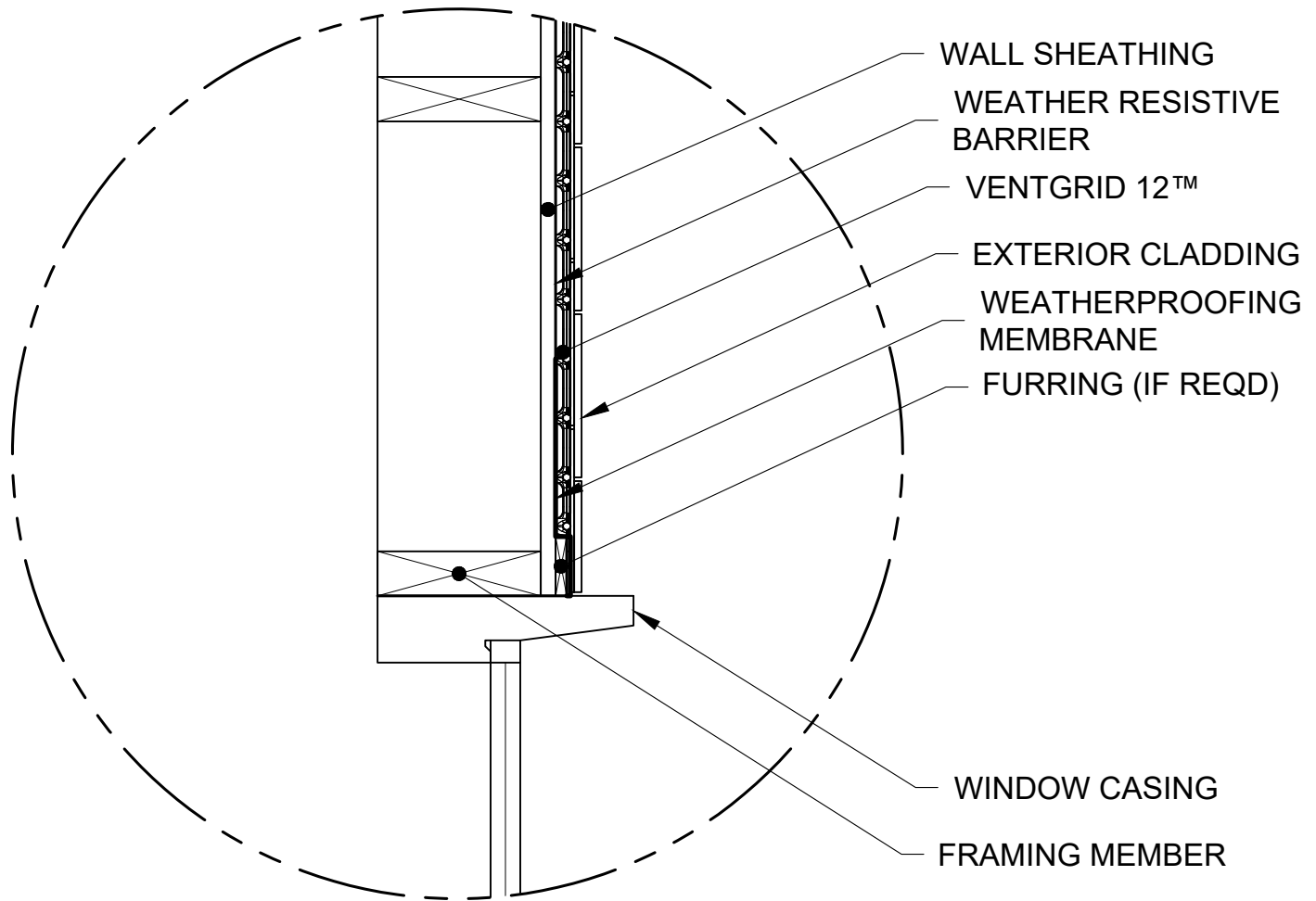
# WINDOW JAMB DETAIL

VENTGRID 12™

NOT TO SCALE

ASSEMBLY SHOWN WITH PROFILED WOOD SIDING

VG12-400



- WALL SHEATHING
- WEATHER RESISTIVE BARRIER
- VENTGRID 12™
- EXTERIOR CLADDING
- WEATHERPROOFING MEMBRANE
- FURRING (IF REQD)
- WINDOW CASING
- FRAMING MEMBER

NOTE: IF THE USE OF 1" THICK RIGID INSULATION IS DESIRED IT IS TO BE PLACED BETWEEN THE WALL SHEATHING AND THE WEATHER RESISTIVE BARRIER AND HAVE A MINIMUM COMPRESSIVE STRENGTH OF 20 PSI.

ATTENTION: IT IS THE RESPONSIBILITY OF THE INSTALLER TO CONSULT ALL MANUFACTURER SPECIFICATIONS REGARDING SPECIFIC REQUIREMENTS FOR PROPER ATTACHMENT OF MATERIALS AND TO ALSO ENSURE MATERIAL INSTALLATION CONFORMS TO LOCAL CODE REQUIREMENTS.



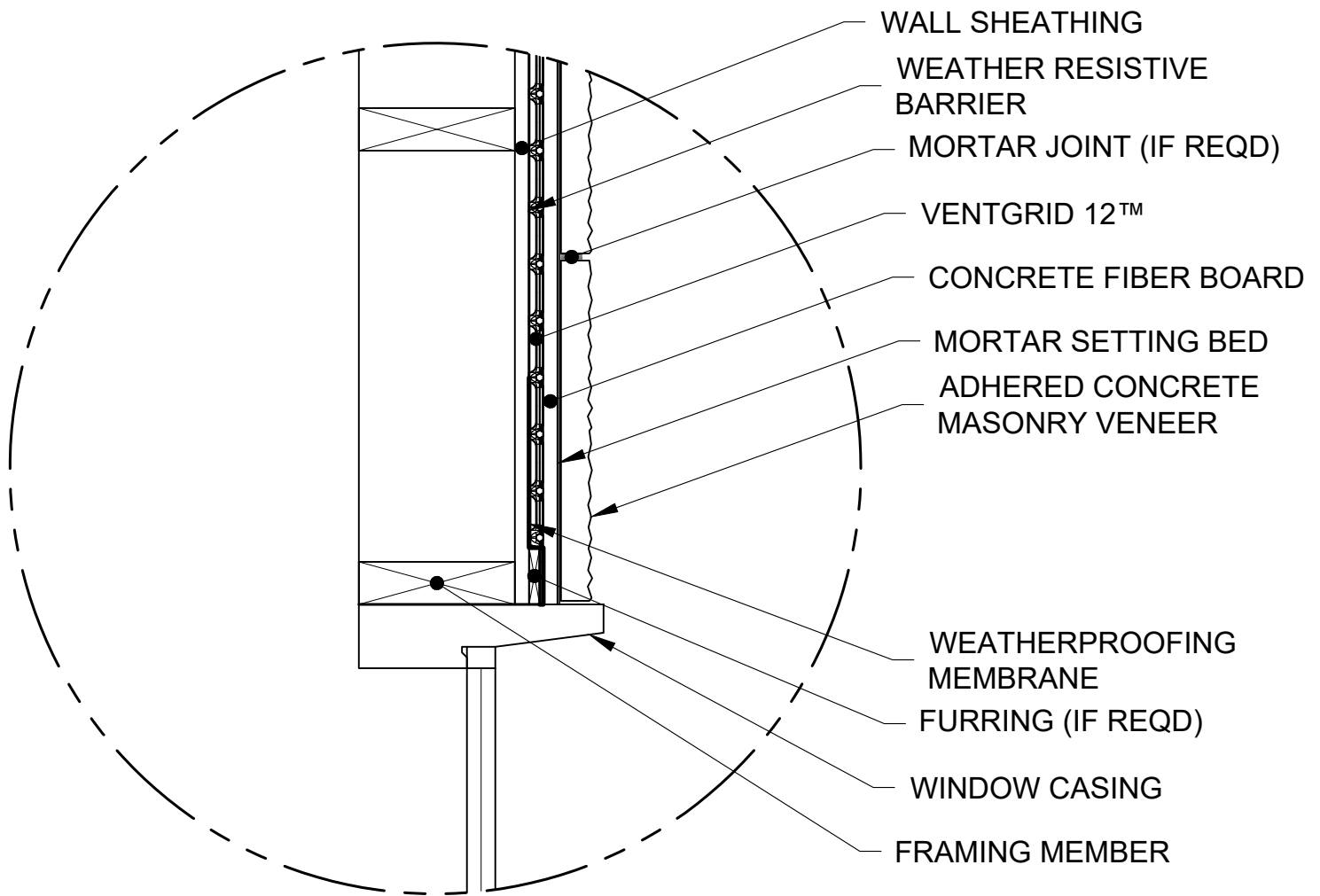
# WINDOW JAMB DETAIL

VENTGRID 12™

NOT TO SCALE

ASSEMBLY SHOWN WITH WOODEN SHINGLE SIDING

VG12-401



NOTE: IF THE USE OF 1" THICK RIGID INSULATION IS DESIRED IT IS TO BE PLACED BETWEEN THE WALL SHEATHING AND THE WEATHER RESISTIVE BARRIER AND HAVE A MINIMUM COMPRESSIVE STRENGTH OF 20 PSI.

ATTENTION: IT IS THE RESPONSIBILITY OF THE INSTALLER TO CONSULT ALL MANUFACTURER SPECIFICATIONS REGARDING SPECIFIC REQUIREMENTS FOR PROPER ATTACHMENT OF MATERIALS AND TO ALSO ENSURE MATERIAL INSTALLATION CONFORMS TO LOCAL CODE REQUIREMENTS.



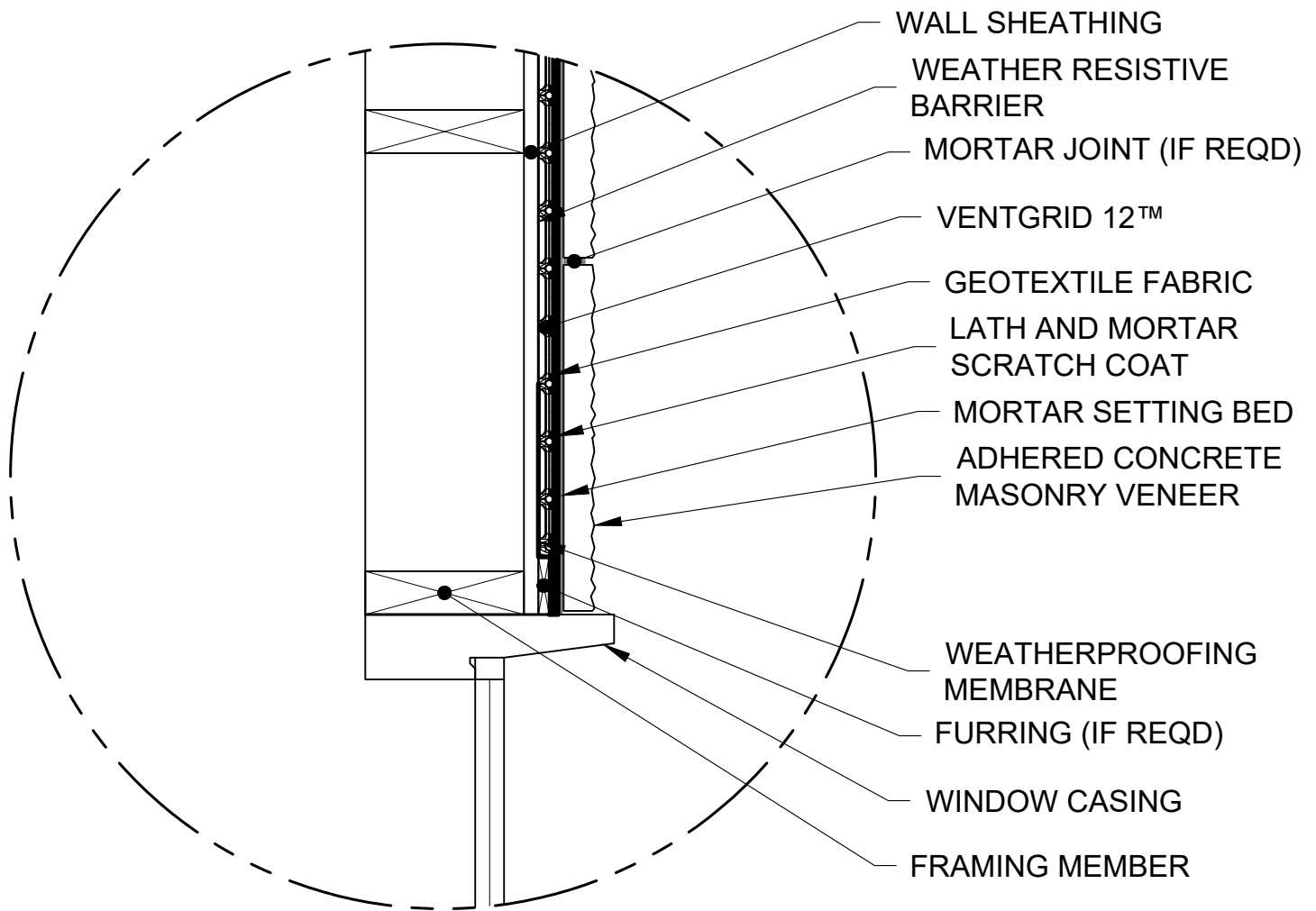
## WINDOW JAMB DETAIL

VENTGRID 12™

NOT TO SCALE

ASSEMBLY SHOWN WITH ADHERED CONCRETE MASONRY VENEER ON CONCRETE FIBER BOARD

VG12-402



NOTE: IF THE USE OF 1" THICK RIGID INSULATION IS DESIRED IT IS TO BE PLACED BETWEEN THE WALL SHEATHING AND THE WEATHER RESISTIVE BARRIER AND HAVE A MINIMUM COMPRESSIVE STRENGTH OF 20 PSI.

ATTENTION: IT IS THE RESPONSIBILITY OF THE INSTALLER TO CONSULT ALL MANUFACTURER SPECIFICATIONS REGARDING SPECIFIC REQUIREMENTS FOR PROPER ATTACHMENT OF MATERIALS AND TO ALSO ENSURE MATERIAL INSTALLATION CONFORMS TO LOCAL CODE REQUIREMENTS.



# WINDOW JAMB DETAIL

VENTGRID 12™

NOT TO SCALE

ASSEMBLY SHOWN WITH ADHERED CONCRETE MASONRY VENEER ON LATH AND MORTAR SCRATCH COAT

VG12-403